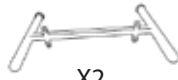


Part # OT-DANIELLASTOR XX+XX

21-0607

**PARTS**

A



X2

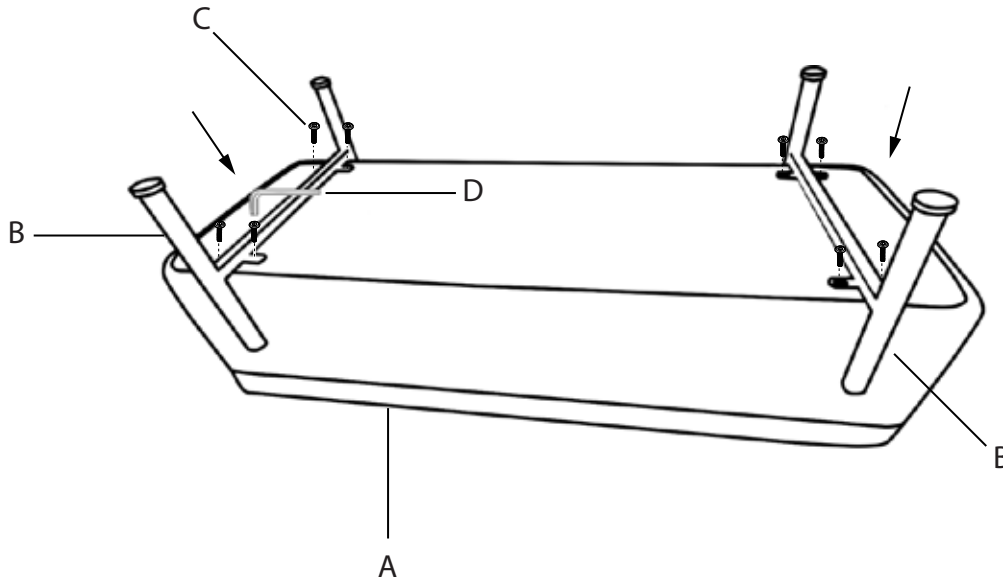
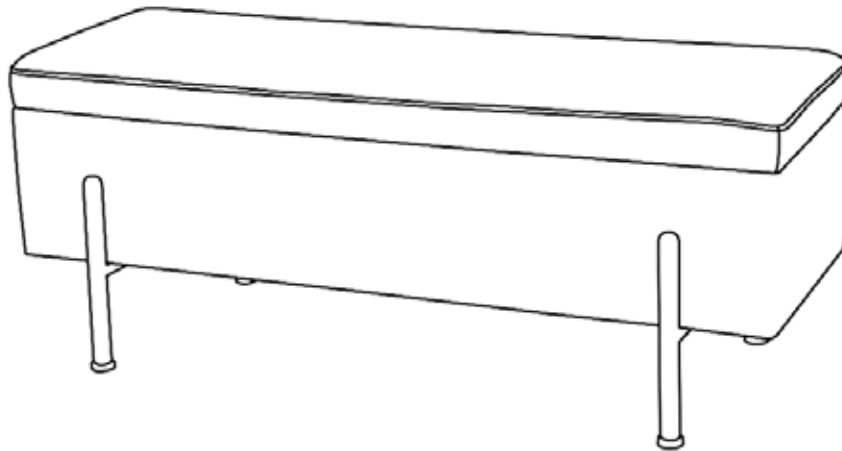
B

x8  
(M6x14mm)

C



D

**1****2**

Do not over tighten.  
Do not use power tools to assemble.